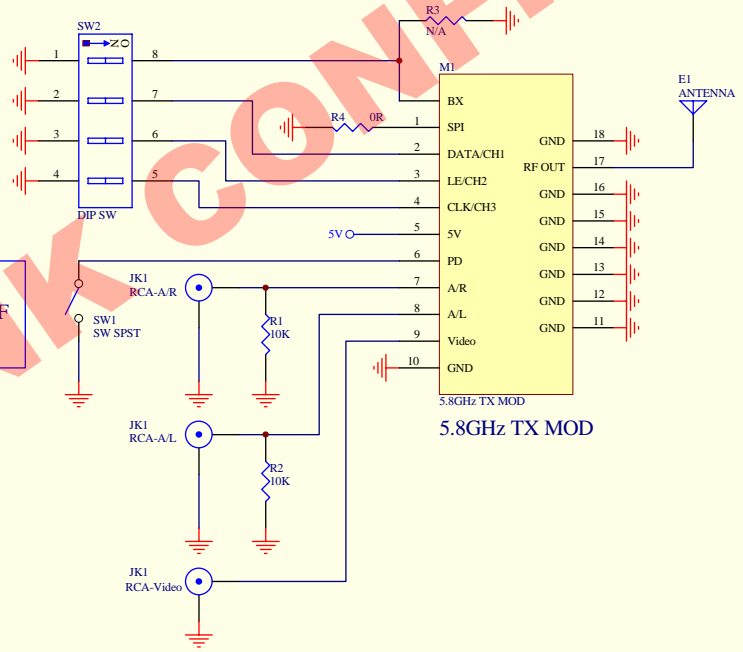


3 Bit SW For 8 CH Mode CH Setting
4 Bit SW For 16 CH Mode CH Setting

Channel Setting
By DIP Switch

For 8 CH Mode Option
R3 = 0R IN Band (CH1 ~ CH8)
R3 = N/A OUT Band (CH9 ~ CH16)

SW1
Short to GND => Power OFF
Open => Power ON

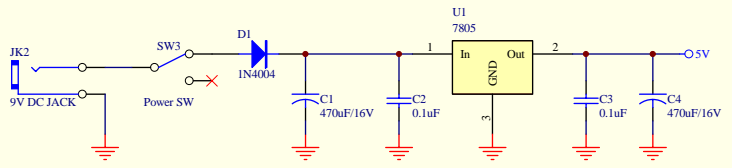


DIP Switch Setting

	CH BIT				
	1	2	3	4	
CH1	0	0	0	0	5733 MHz
CH2	0	1	0	0	5752 MHz
CH3	0	0	1	0	5771 MHz
CH4	0	1	1	0	5790 MHz
CH5	0	0	0	1	5809 MHz
CH6	0	1	0	1	5828 MHz
CH7	0	0	1	1	5847 MHz
CH8	0	1	1	1	5866 MHz
CH9	1	0	0	0	5705 MHz
CH10	1	1	0	0	5685 MHz
CH11	1	0	1	0	5665 MHz
CH12	1	1	1	0	5645 MHz
CH13	1	0	0	1	5885 MHz
CH14	1	1	0	1	5905 MHz
CH15	1	0	1	1	5925 MHz
CH16	1	1	1	1	5945 MHz

"0" => Short to GND

"1" => Open



Title 5.8GHz TX Module Application CKT		
Size B	Number	Revision
Date: 18-Aug-2009	Sheet of	
File: D:\2009\LAYOIT\Module\5.8GHz MOD\5.8GHz TX MOD.Ddb		