

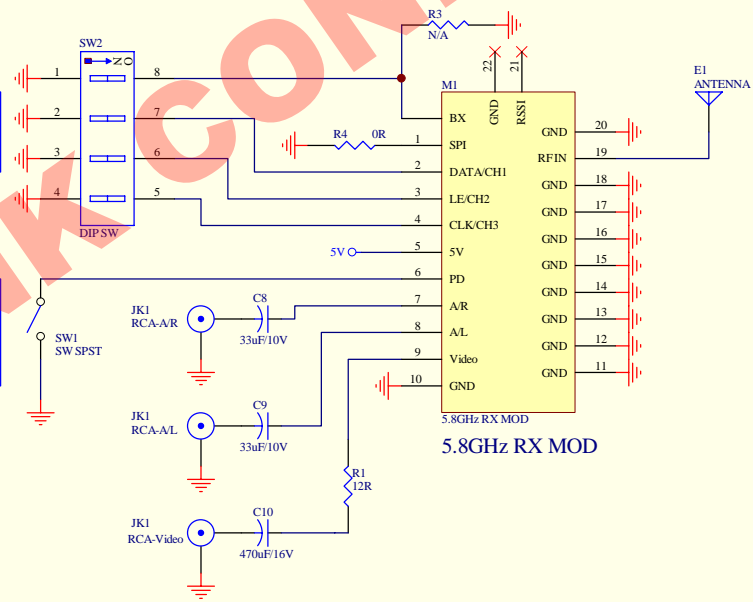
GO-INK.COM/CONFIDENTIAL

Channel Setting  
By DIP Switch

For 8 CH Mode Option  
 R3 = 0R IN Band ( CH1 ~ CH8 )  
 R3 = N/A OUT Band ( CH9 ~ CH16 )

3 Bit SW For 8 CH Mode CH Setting  
 4 Bit SW For 16 CH Mode CH Setting

SW1  
 Short to GND => Power OFF  
 Open => Power ON



DIP Switch Setting

	CH BIT				Receiving CH Freq.
	1	2	3	4	
CH1	0	0	0	0	5733 MHz
CH2	0	1	0	0	5752 MHz
CH3	0	0	1	0	5771 MHz
CH4	0	1	1	0	5790 MHz
CH5	0	0	0	1	5809 MHz
CH6	0	1	0	1	5828 MHz
CH7	0	0	1	1	5847 MHz
CH8	0	1	1	1	5866 MHz
CH9	1	0	0	0	5705 MHz
CH10	1	1	0	0	5685 MHz
CH11	1	0	1	0	5665 MHz
CH12	1	1	1	0	5645 MHz
CH13	1	0	0	1	5885 MHz
CH14	1	1	0	1	5905 MHz
CH15	1	0	1	1	5925 MHz
CH16	1	1	1	1	5945 MHz

"0" => Short to GND

"1" => Open

