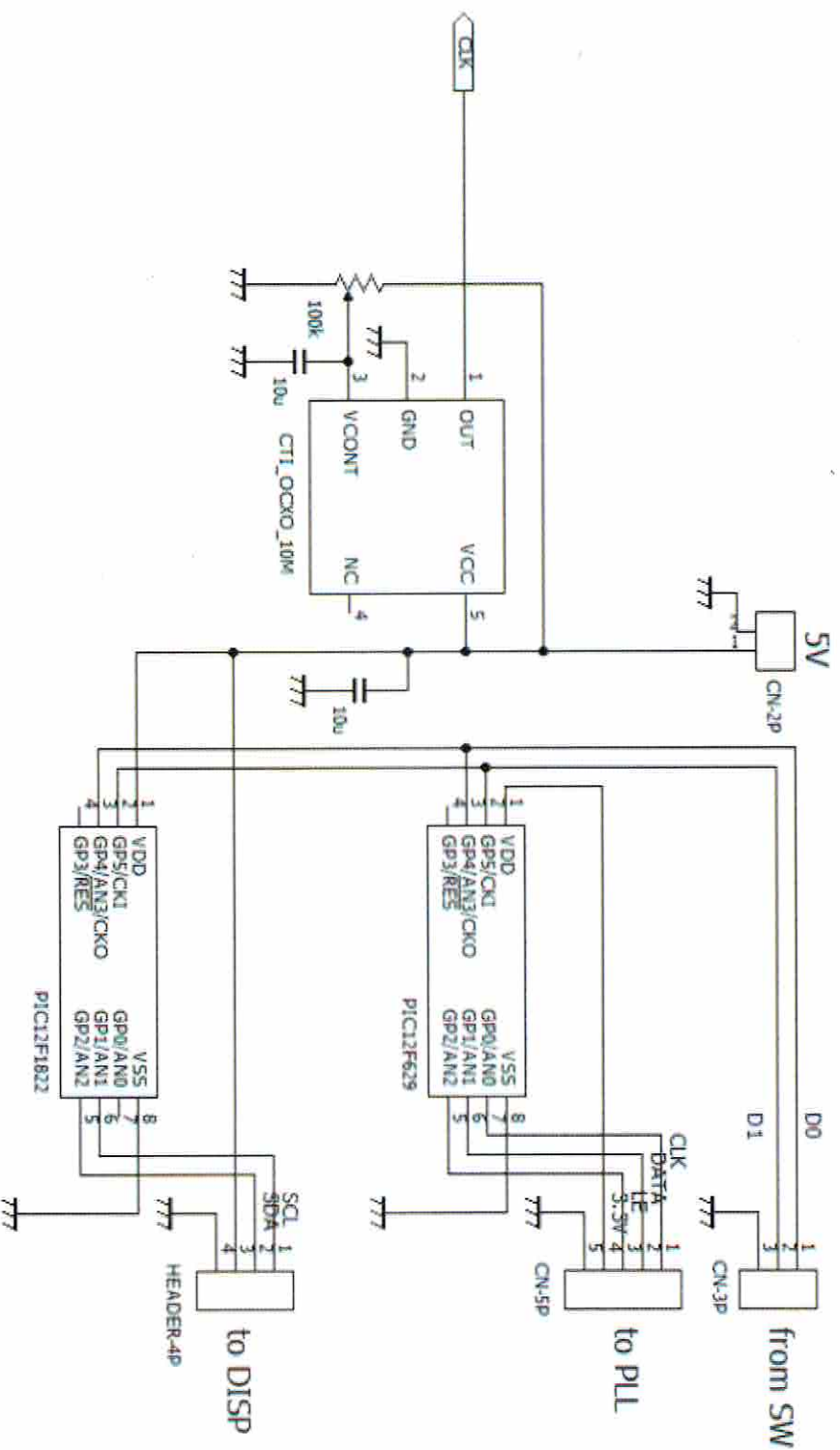


# 24GHz PLL -DISP Lo : 3CH type (Pic:12F629/12F1822)



Mar/10/2024  
Circuit design by JH1GYE