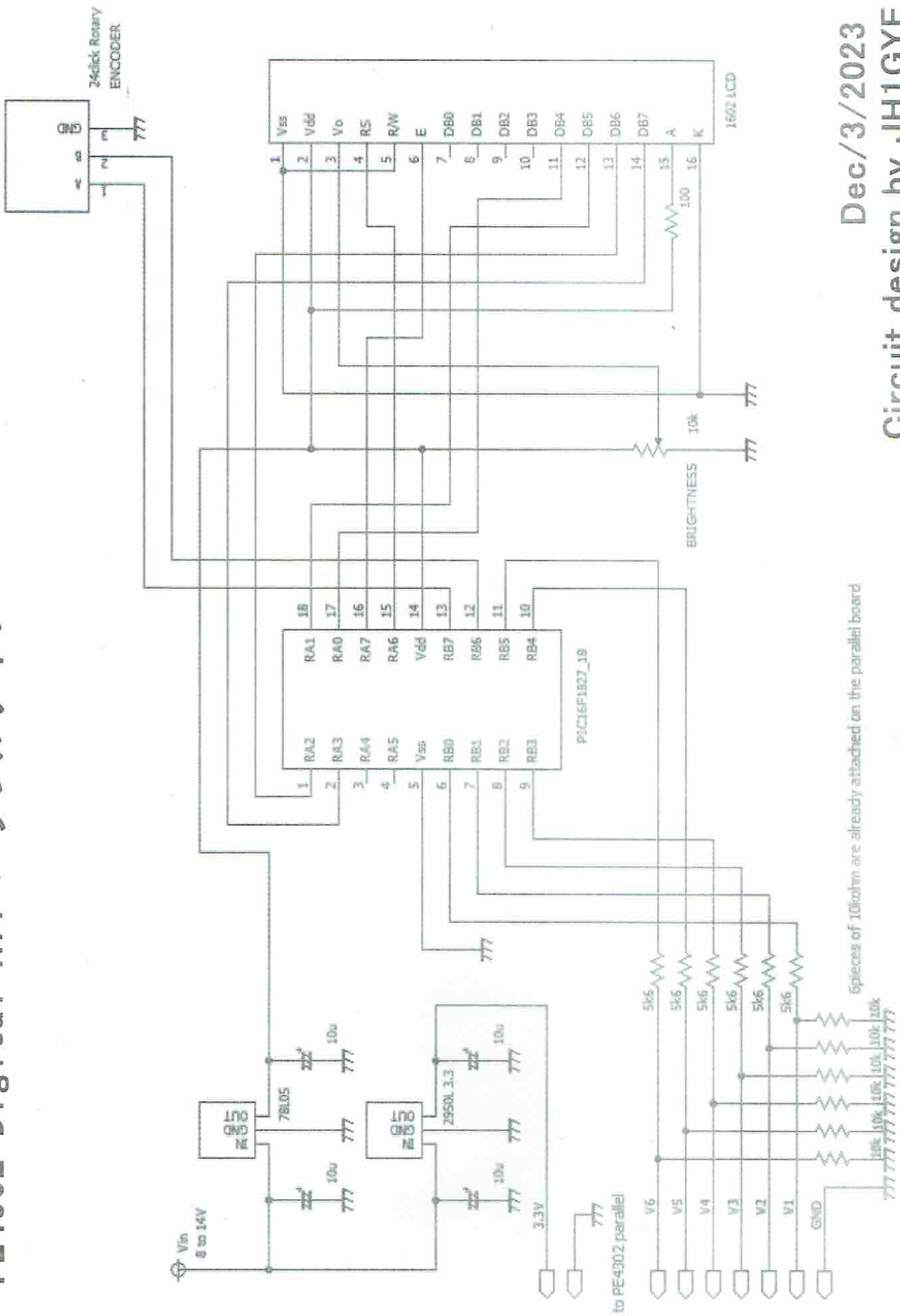


PE4302 Digital ATT パラレルタイプ



pieces of 10kohm are already attached on the parallel board

Dec/3/2023
Circuit design by JH1GYE